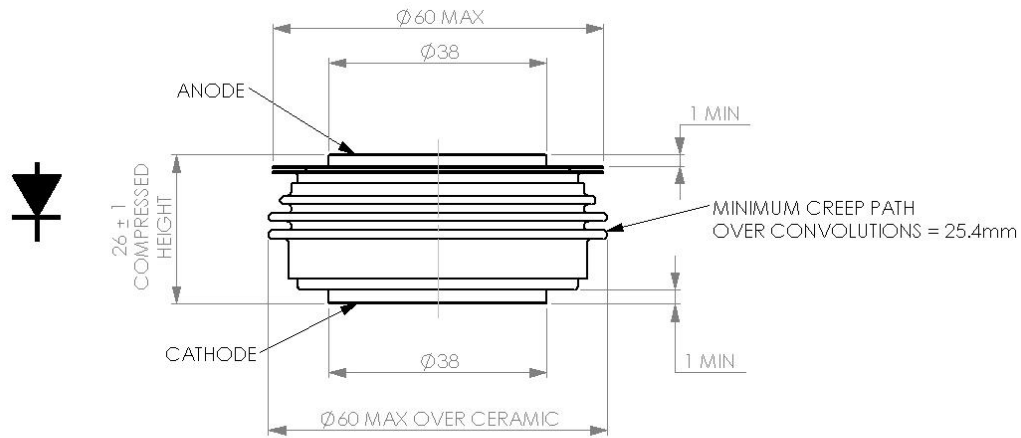
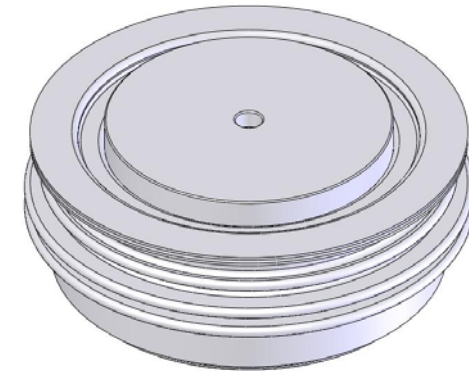
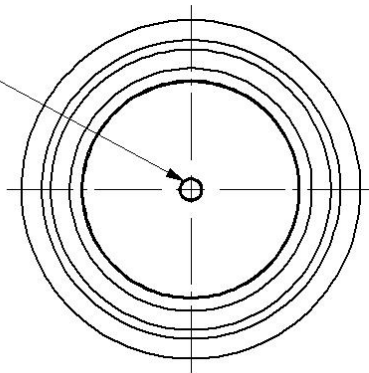


**Drawing Number – W68**  
**Outline Number – 101A367**

**WESTCODE**  
An IXYS Company



Ø3.6/3.5 x 2 MIN  
DEPTH 2-HOLES, ONE  
IN CATHODE AND  
ONE IN ANODE.



**Weight 300g**