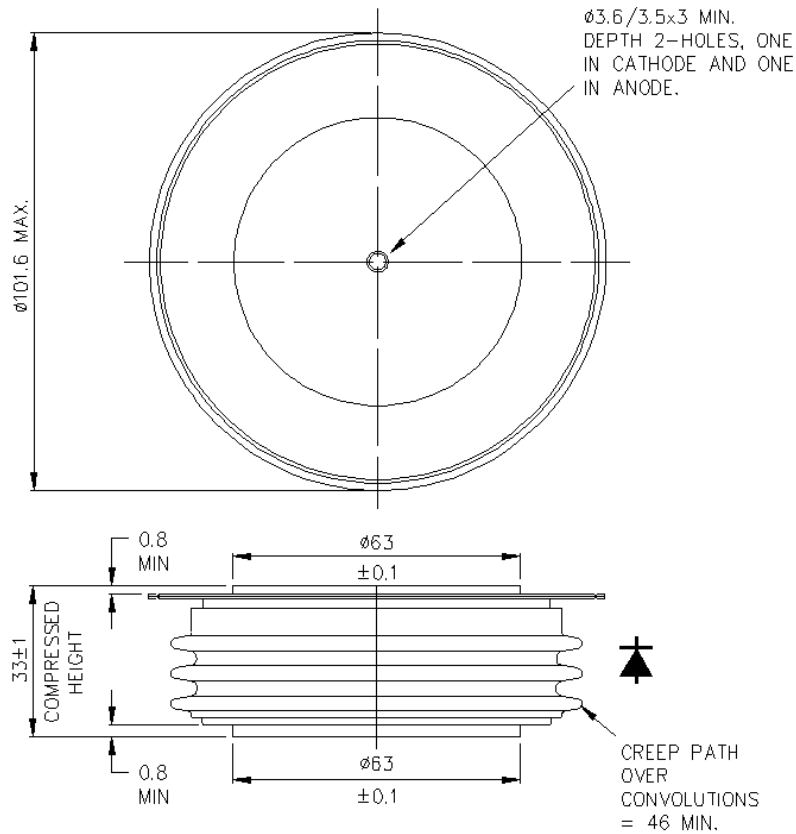


Drawing Number – W6
Outline Number – 100A270

WESTCODE
An IXYS Company



Weight 1000g