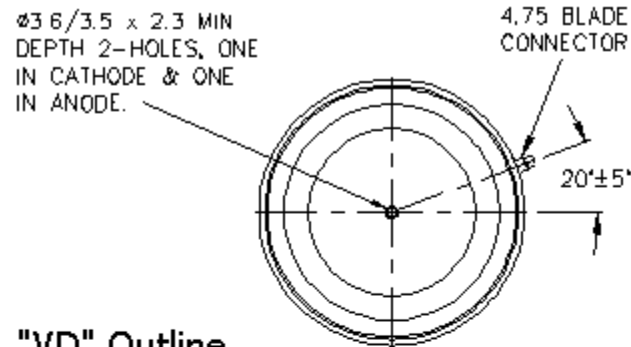
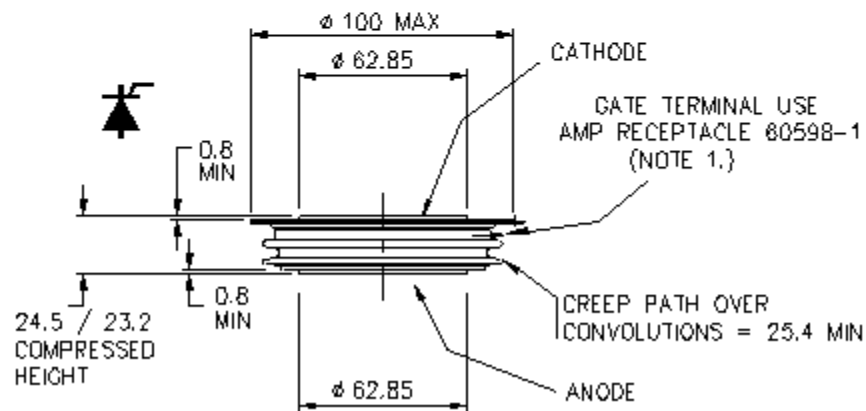


Drawing Number – W50
Outline Number – 101A309



"VD" Outline
NOT FOR NEW DESIGN - NON STANDARD DEVICE



Weight 750g