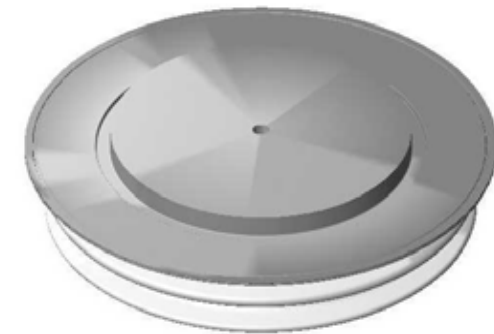
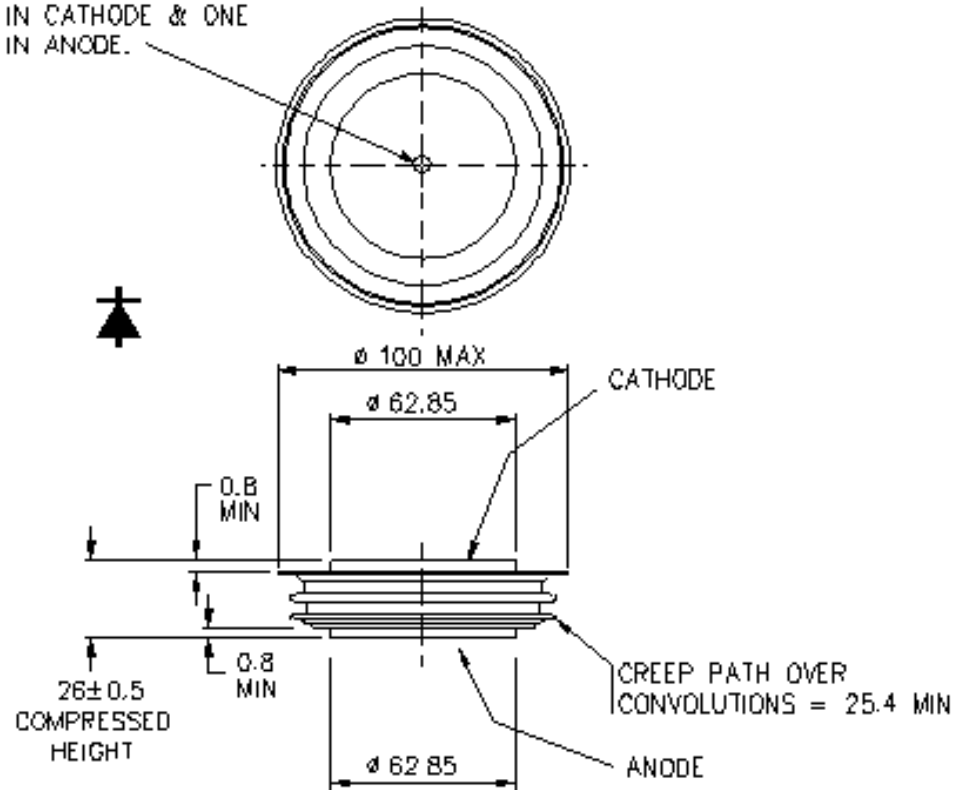


Drawing Number – W43  
Outline Number – 100A320

**WESTCODE**  
An IXYS Company

∅3.6/3.5 x 2.7/2.3  
DEPTH 2-HOLES. ONE  
IN CATHODE & ONE  
IN ANODE.



Weight 800g