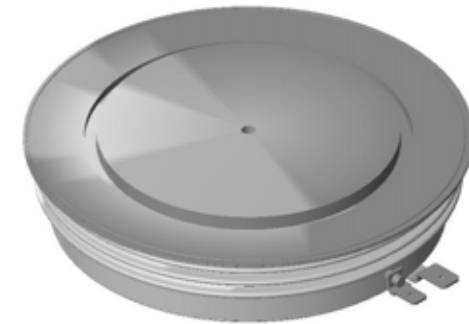
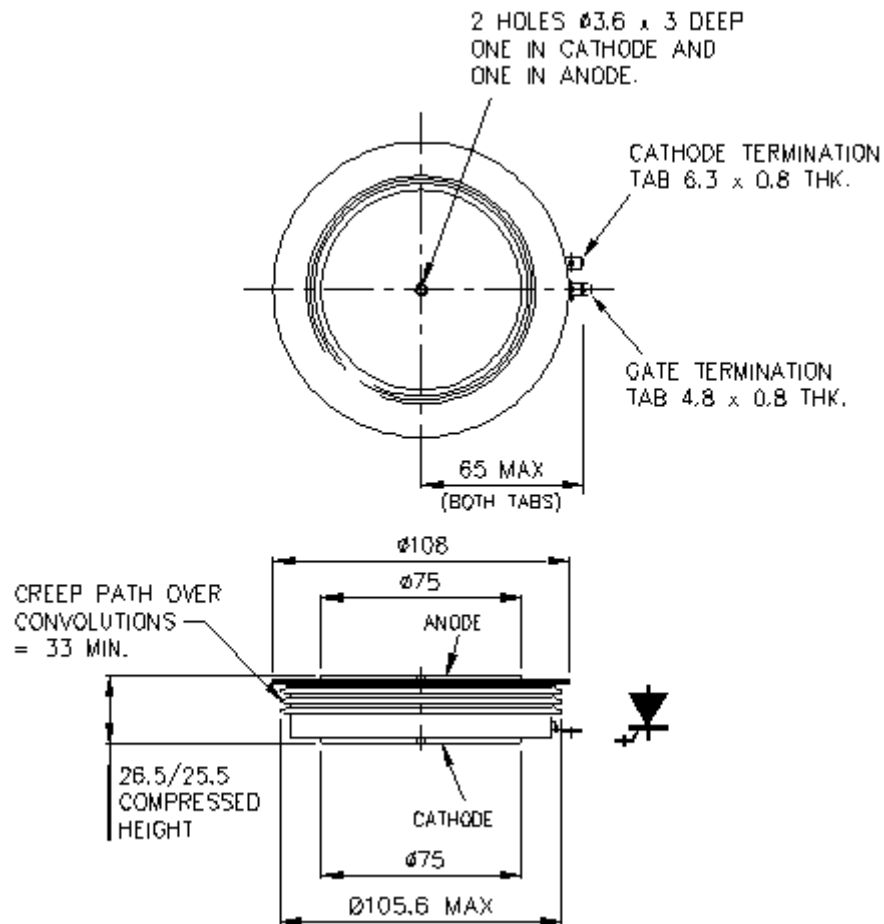


Drawing Number – W32
Outline Number – 101A345



Weight 1500g