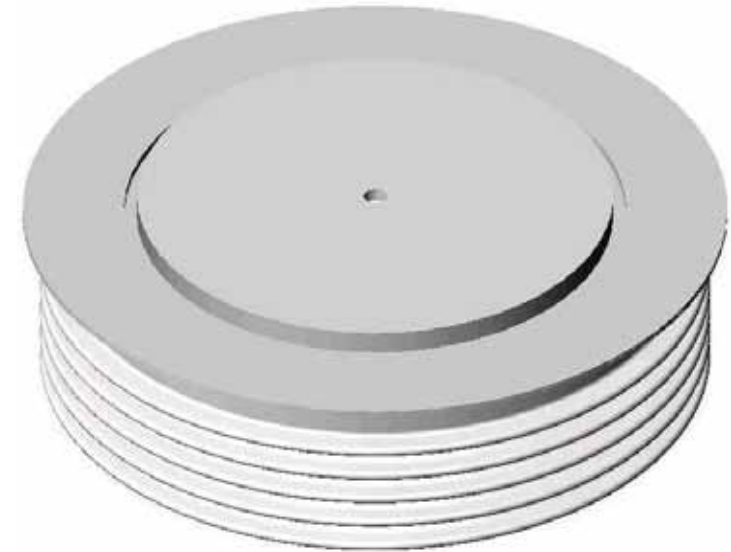
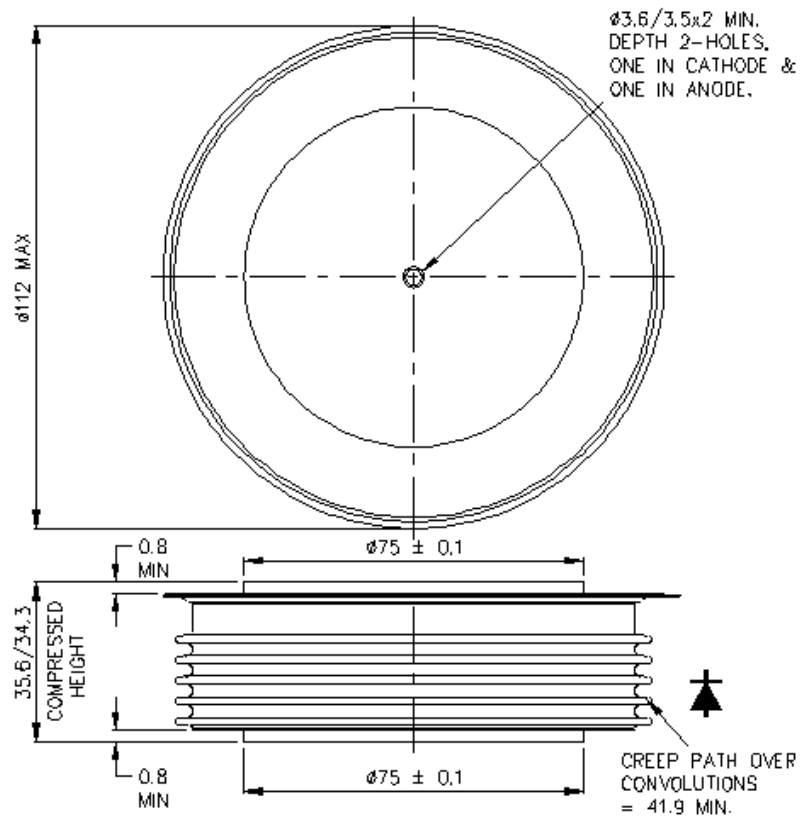


**Drawing Number – W29**  
**Outline Number – 100A342**



**Weight 1700g**