

# Welding Diodes

**Voltage**  
**V<sub>RRM</sub> from 80V to 200V**

# Rectifier Diodes

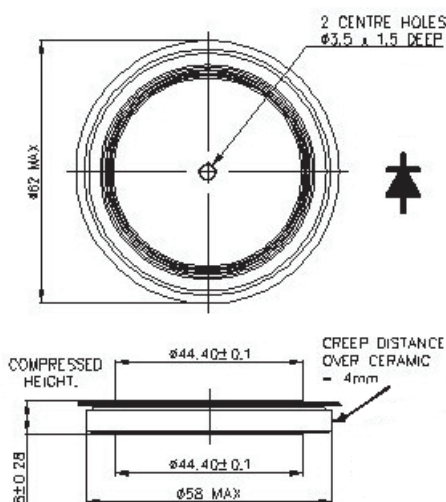
May 2009 Issue 3

Features and Benefits

## A major new silicon technology development

Device W7032DB020 is a rectifier diode which consists of a 50mm Si Ø wafer, mounted in a cold weld capsule with an average current rating of 7kA.

Available in 3 voltage grades for 80V to 200V



Development part number WX198PB008-020 is a larger diameter 57mm Ø pole face device, with an average current rating of 12kA. Data sheet and samples are due later this year.



- New industry standard 8mm thick package
- Mechanically compatible with industry standards
- Fully hermetic press-pack ceramic walled package

### Applications

Ideally suited for use in welding and low voltage rectifier applications.



Certificate FM26085

Westcode Semiconductors Limited's BS EN ISO 9001 Quality System is registered by BSI.

Contact us:

**WESTCODE**

An IXYS Company

Westcode Semiconductors Ltd

Langley Park Way  
Chippenham SN15 1GE  
United Kingdom

Tel: +44 (0)1249 444524

Fax: +44 (0)1249 659448

Email: [wsl.sales@westcode.com](mailto:wsl.sales@westcode.com)

We are supported by a global network of local offices, representatives and distributors. Please visit our websites for further information.

**IXYS**

IXYS Semiconductors GmbH

Edisonstr. 15  
D-68623 Lampertheim  
Germany

Tel: +49 (0) 6206 503-0

Fax: +49 (0) 6206 503627

Email: [marcom@ixys.de](mailto:marcom@ixys.de)