

Isolated Base Power Modules

IXYS Lampertheim and Westcode Chippenham have extended the range of its existing Industry Standard outline dual isolated base thyristor and diode modules.

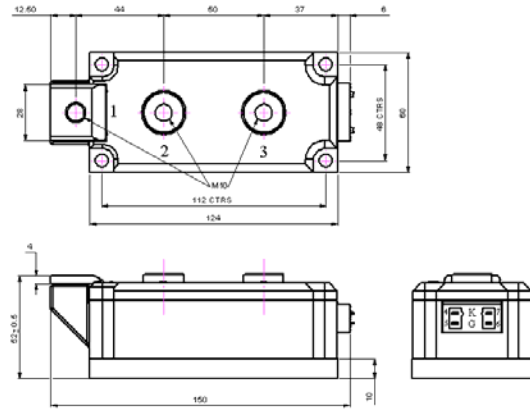
Combining the pressure contact technology of Westcode Semiconductors with the isolated package expertise of IXYS to create a new class of module.



Devices are introduced in six configurations, including dual diode (see outline 150A111), dual thyristor and diode thyristor combinations. The full range is detailed in the table below.

Thyristor modules are rated for average current of 500A and the diode modules for 600A.

Four voltage ratings are available in each configuration, 1.2kV, 1.4kV, 1.6kV and 1.8kV with higher voltages projected for future introduction.



150A111

These industry standard devices are suited to all applications requiring isolated base, phase control and rectifier products. Such as Rectifiers, Soft Starts, Drives & UPS. The robust mechanical structure also makes these devices suitable for use in transportation and induction heating as well as industrial installations. This new family of devices offers characteristics that are competitive against all similar products in the class.

MCC500-12io1		MCD500-12io1		MDD600-12No1	
MCC500-14io1		MCD500-14io1		MDD600-14No1	
MCC500-16io1		MCD500-16io1		MDD600-16No1	
MCC500-18io1		MCD500-18io1		MDD600-18No1	
MCA500-12io1		MDC500-12io1		MDA600-12No1	
MCA500-14io1		MDC500-14io1		MDA600-14No1	
MCA500-16io1		MDC500-16io1		MDA600-16No1	
MCA500-18io1		MDC500-18io1		MDA600-18No1	

The highly experienced design team within IXYS and Westcode Semiconductors are able to offer individually engineered extended solutions. Combining these new products in sub assemblies complete with cooling, snubbers and gate trigger circuits as required.

Data sheets, pricing and samples are available now by contacting the Customer Service Team at Chippenham (email: WSL.sales@westcode.com) or by telephone: +44 (0)1249 444525.